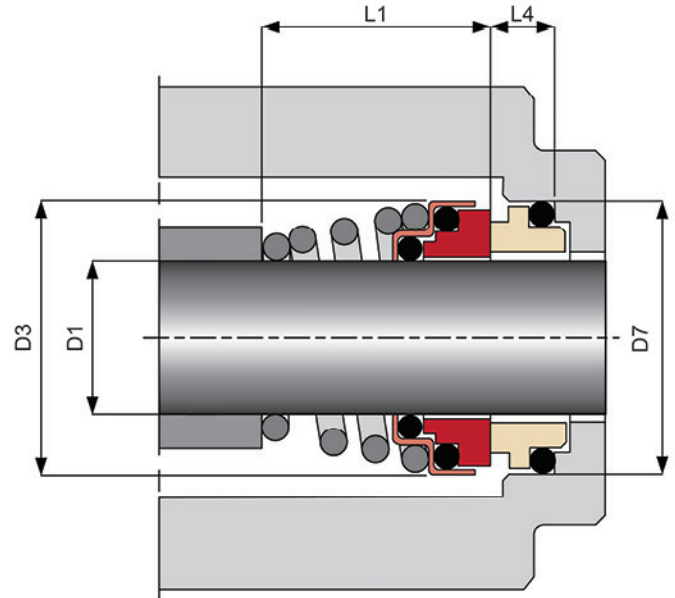


## Elastomer O-Ring Seals

# DS-330



### Applications

- For use in general industrial applications including process services.
- Lubricating liquids, aqueous solutions, chemicals, corrosives, some acids.

Type DS-330 mechanical seals are suitable for a wide range of services conditions.

### Standard Materials

- Metal Parts : SUS 316
- Spring : SUS 316
- Rotary Face : Ceramic/Silicon Carbide/  
Tungsten Carbide
- Stationary Face : Silicon Carbide/Tungsten Carbide/  
Carbon
- Secondary Seals : Fluoroelastomer/Nitrile/  
Ethylene Propylene

\*(Other configuration of materials also available on request)

### Operating Conditions

- Max. Operating Pressure : 10 kg/cm<sup>2</sup>\*
- Temperature Range : -55 to 100 °
- Max. Rubbing Speed : 20 m/s

\*(Depend on combination of materials)

### Design Features/Benefits

- Non-Clogging, Single Coil Spring will not run foul due to fluid contact.
- Setting-length of spring can be held in position by impeller.
- Easy to fit and can be repaired in the field to minimize downtime and lost revenue.
- Sealing faces are precision lapped to provide effective performance with maximum seal life.



# Mechanical Seal Specification

Engineered Sealing Expertise

## Dimensional Data (mm.) DS-330

D1	D3	D7	L1	L4
10	20	18.10	15	5.50
11	22	20.60	18	5.50
12	22	20.60	18	5.50
13	25	23.10	22	6.00
14	25	23.10	22	6.00
15	29	26.90	22	7.00
16	29	26.90	23	7.00
17	29	26.90	23	7.00
18	33	30.90	24	8.00
19	33	30.90	25	8.00
20	33	30.90	25	8.00
21	38	35.40	25	8.00
22	38	35.40	25	8.00
23	38	35.40	27	8.00
24	38	35.40	27	8.00
25	40	38.20	27	8.50
28	46	43.30	29	9.00
29	46	43.30	30	9.00
30	46	43.30	30	9.00
32	46	43.30	30	9.00
33	48	53.50	39	11.50
35	50	53.50	39	11.50
38	58	60.50	39	11.50
40	58	60.50	39	11.50

\* Other sizes are available upon request.

## Dimensional Data (mm.) DS-330B

D1	D3	D7	L1	L4
10	20	21	15	7
12	22	23	18	7
14	25	25	22	7
16	29	27	23	7
18	33	33	24	10
20	33	35	25	10
22	38	37	25	10
24	38	39	27	10
25	40	40	27	10
28	46	43	29	10
30	46	45	30	10
32	46	48	30	10
33	48	48	39	10
35	50	50	39	10
38	56	56	42	13
40	58	58	42	13

\* Other sizes are available upon request.