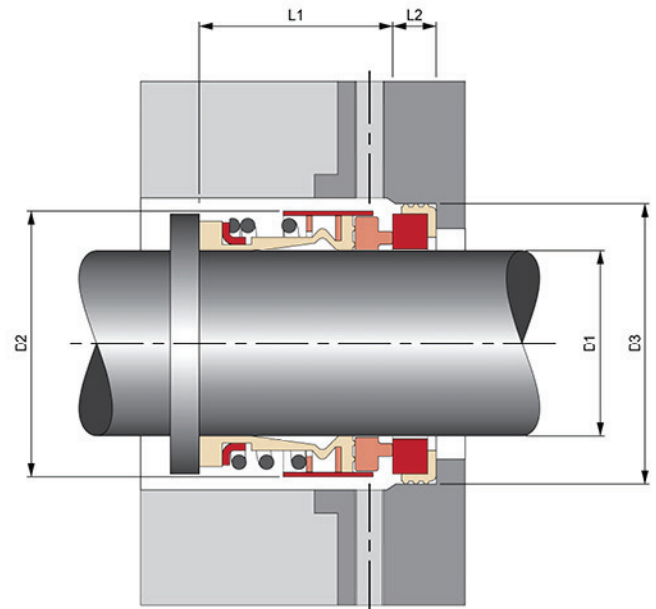


Elastomer Bellows Seals

DS-502



Applications

- For use in pumps, mixers, blenders, agitators, compressors and other rotary shaft equipment.
- Suitable for most general and light chemical duties ranging from water to weak acid solutions.

Type DS-502 is a general duty bellows seal supplied in metric sizes. Elastomer bellows seal units require a positive abutment at the back of the bellows or spring, positioned so as to give the correct seal working length.

Standard Materials

- Metal Parts : SUS 316
- Spring : SUS 316
- Rotary Face : Silicon Carbide/Tungsten Carbide/Carbon
- Stationary Face : Silicon Carbide/Ceramic/Tungsten Carbide/Carbon
- Secondary Seals : Fluoroelastomer/Nitrile/Ethylene Propylene

*(Other configuration of materials also available on request)

Operating Conditions

- Max. Operating Pressure : 40 kg/cm²*
- Temperature Range : -15 to 200 °
- Max. Rubbing Speed : 13 m/s

*(Depend on combination of materials)

Design Features/Benefits

- The elastomer bellows seal designed for self-aligning feature compensates for excessive shaft end-play and runout.
- Non-clogging single coil spring for dependability.
- Independent of shaft rotating direction.



Mechanical Seal Specification

Engineered Sealing Expertise

Dimensional Data (mm.)

D1	D2	D3	L1	L2
14	24	25	23.0	12.0
16	26	27	23.0	12.0
18	32	33	24.0	13.5
20	34	35	24.0	13.5
22	36	37	24.0	13.5
24	38	39	26.7	13.3
25	39	40	27.0	13.0
28	42	43	30.0	12.5
30	44	46	30.5	12.0
32	46	48	30.5	12.0
33	47	48	30.5	12.0
35	49	50	30.5	12.0
38	54	56	32.0	13.0
40	56	58	32.0	13.0
43	59	61	32.0	13.0
45	61	63	32.0	13.0
48	64	66	32.0	13.0
50	66	70	34.0	13.5
53	69	73	34.0	13.5
55	71	75	34.0	13.5
58	78	78	39.0	13.5
60	80	80	39.0	13.5
63	83	83	39.0	13.5
65	85	85	39.0	13.5
68	88	90	39.0	13.5
70	89	92	45.5	14.5
75	96	97	45.5	14.5
80	104	105	45.0	15.0
85	108	110	45.0	15.0
90	114	115	50.0	15.0
95	118	120	50.0	15.0
100	124	125	50.0	15.0

* Other sizes are available upon request.