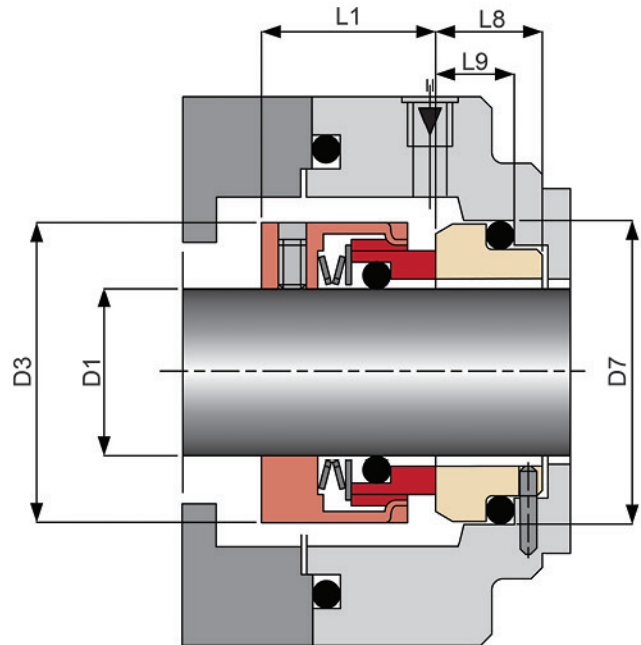


Elastomer O-Ring Seals

DS-7N



Applications

- For use in pumps, mixers, blenders, agitators, compressors and other rotary shaft equipment.
- Suitable for most general and light chemical duties ranging from water to weak acid solutions.

Type DS-7N mechanical seal is designed for universal application. The seal face are loosely inserted and can be easily exchanged, the thrust-ring is retained by the drive lugs preventing the springs falling out.

Operating Conditions

- Max. Operating Pressure : 16 kg/cm²*
- Temperature Range : -15 to 200 °
- Max. Rubbing Speed : 20 m/s

*(Depend on combination of materials)

Standard Materials

- Metal Parts : SUS 316
- Spring : SUS 316
- Rotary Face : Silicon Carbide/Tungsten Carbide/Carbon
- Stationary Face : Silicon Carbide/Ceramic/Tungsten Carbide/Carbon
- Secondary Seals : Fluoroelastomer/Nitrile/Ethylene Propylene

*(Other configuration of materials also available on request)

Design Features/Benefits

- The wave spring designed for install in the shallow seal chamber.
- Setting-length of spring can be held in position by build in set-ring.
- Independent of shaft rotating direction.
- Premium-grade silicon carbide solid seal faces are excellent for high temperature and enduring abrasive fluids.



Mechanical Seal Specification

Engineered Sealing Expertise

Dimensional Data (mm.)

D1	D3	D7	L1	L8	L9
14	25	25.0	25.0	17.5	10.0
16	27	27.0	25.0	17.5	10.0
18	33	33.0	26.0	19.5	11.5
20	35	35.0	26.0	19.5	11.5
22	37	37.0	26.0	19.5	11.5
24	39	39.0	28.5	19.5	11.5
25	40	40.0	28.5	19.5	11.5
28	43	43.0	31.0	19.5	11.5
30	45	45.0	31.0	19.5	11.5
32	47	48.0	31.0	19.5	11.5
33	48	48.0	31.0	19.5	11.5
35	50	50.0	31.0	19.5	11.5
38	55	56.0	31.0	22.0	14.0
40	57	58.0	31.0	22.0	14.0
43	60	61.0	31.0	22.0	14.0
45	62	63.0	31.0	22.0	14.0
48	65	66.0	31.0	22.0	14.0
50	67	70.0	32.5	23.0	15.0
53	70	73.0	32.5	23.0	15.0
55	72	75.0	32.5	23.0	15.0
58	79	78.0	37.5	23.0	15.0
60	81	80.0	37.5	23.0	15.0
63	84	83.0	37.5	23.0	15.0
65	86	85.0	37.5	23.0	15.0
68	89	85.0	37.5	23.0	18.0
70	91	92.0	42.0	26.0	18.0
75	99	97.0	42.0	26.0	18.0
80	104	105.0	41.8	26.2	18.2
85	109	110.0	41.8	26.2	18.2
90	114	115.0	46.8	26.2	18.2
95	119	120.0	47.8	25.2	17.2
100	124	125.0	47.8	25.2	17.2

* Other sizes are available upon request.