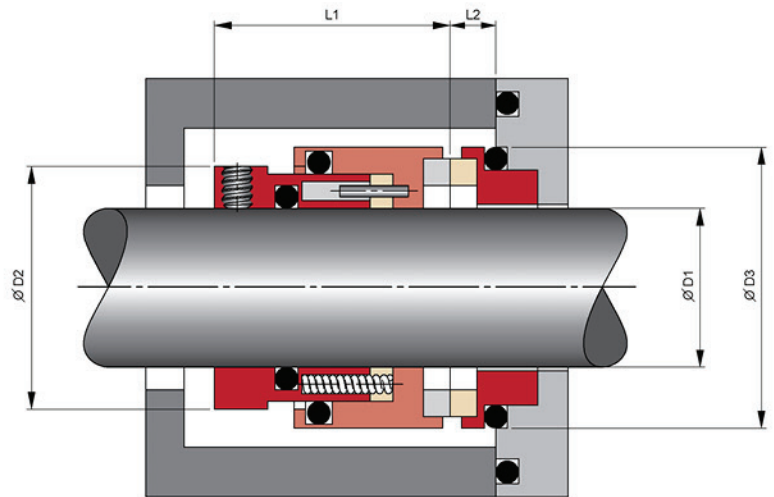


Elastomer O-Ring Seals

DS-900



Applications

- General and high pressure sealing duties, chemical, including processing, refinery, petrochemical, and liquid rich in solid impurity.
- Oils, solvents, refrigerants, water and food processing, and other demanding applications.

Standard Materials

- Metal Parts : SUS 316
- Spring : SUS 316
- Rotary Face : Silicon Carbide/Tungsten Carbide/Carbon
- Stationary Face : Silicon Carbide/Tungsten Carbide/Carbon
- Secondary Seals : Fluoroelastomer/Nitrile/Ethylene Propylene

*(Other configuration of materials also available on request)

Operating Conditions

- Max. Operating Pressure : 25 kg/cm²*
- Temperature Range : -15 to 200 *
- Max. Rubbing Speed : 15 m/s

*(Depend on combination of materials)

Design Features/Benefits

- Multiple springs exert even closing force on seal faces. Ensure even loading of seal face and compensates for acceptable shaft misalignment.
- Springs are isolated from liquid rich in solid impurity.
- Setting-length of spring can be held in position by build in set-ring.



Mechanical Seal Specification

Engineered Sealing Expertise

Dimensional Data (mm.)

D1	D3	D7	L1	L5	L6	L8	L9
18	32	33	30.5	2	5	19.5	11.5
20	34	35	30.5	2	5	19.5	11.5
22	36	37	30.5	2	5	19.5	11.5
24	38	39	33.0	2	5	19.5	11.5
25	39	40	33.0	2	5	19.5	11.5
28	42	43	35.5	2	5	19.5	11.5
30	44	45	35.5	2	5	19.5	11.5
32	47	48	35.5	2	5	19.5	11.5
33	47	48	35.5	2	5	19.5	11.5
35	49	50	35.5	2	5	19.5	11.5
38	54	56	37.0	2	6	22.0	14.0
40	56	58	37.0	2	6	22.0	14.0
43	59	61	37.0	2	6	22.0	14.0
45	61	63	37.0	2	6	22.0	14.0
48	64	66	37.0	2	6	22.0	14.0
50	66	70	38.0	2.5	6	23.0	15.0
53	69	73	38.0	2.5	6	23.0	15.0
55	71	75	38.0	2.5	6	23.0	15.0
58	78	78	42.0	2.5	6	23.0	15.0
60	80	80	42.0	2.5	6	23.0	15.0
63	83	83	42.0	2.5	6	23.0	15.0
65	85	85	42.0	2.5	6	23.0	15.0
68	88	90	41.5	2.5	7	26.0	18.0
70	90	92	48.5	2.5	7	26.0	18.0
75	99	97	48.5	2.5	7	26.0	18.0
80	104	105	48.5	3.0	7	26.2	18.2
85	109	110	48.5	3.0	7	26.2	18.2
90	114	115	52.0	3.0	7	26.2	18.2
95	119	120	52.0	3.0	7	25.2	17.2
100	124	125	52.0	3.0	7	25.2	17.2

* Other sizes are available upon request.