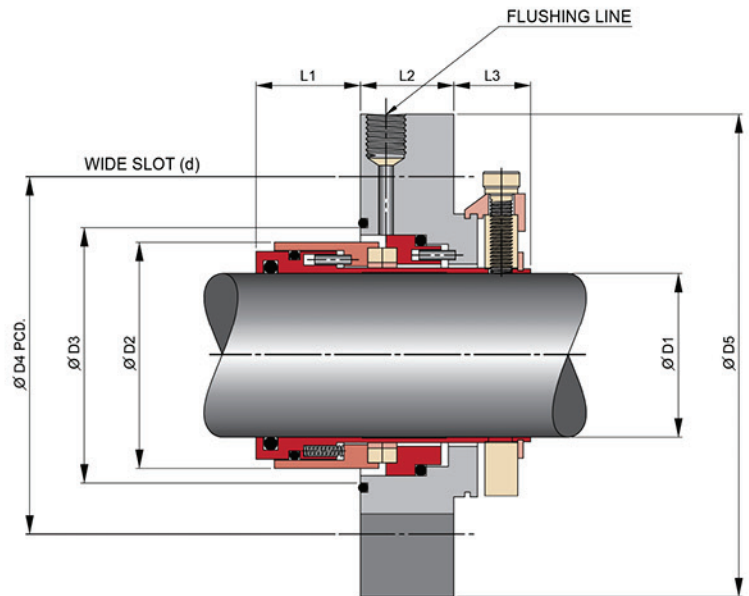
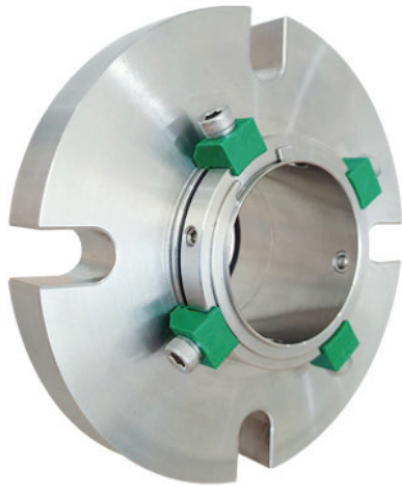


## Elastomer O-Ring Seals

# DS-901



### Applications

- For use in pumps, compressors and other rotary shaft equipment.

### Standard Materials

- Metal Parts : SUS 316
- Spring : SUS 316
- Rotary Face : Silicon Carbide/Tungsten Carbide
- Stationary Face : Silicon Carbide/Tungsten Carbide/Carbon
- Secondary Seals : Fluoroelastomer/Nitrile/Ethylene Propylene

\*(Other configuration of materials also available on request)

### Operating Conditions

- Max. Operating Pressure : 20 kg/cm<sup>2</sup>\*
- Temperature Range : -15 to 200 °
- Max. Rubbing Speed : 25 m/s

\*(Depend on combination of materials)

### Design Features/Benefits

- Cartridge seal configuration. Easy to install and operate.
- Multiple springs exert even closing force on seal faces. Ensure even loading of seal face and compensates for acceptable shaft misalignment.
- Springs are isolated from liquid rich in solid impurity.
- A flushing fluid injected into the seal chamber for clean seal faces.



# Mechanical Seal Specification

## Engineered Sealing Expertise

### Dimensional Data (mm.)

D1	D2	D3	D4	D5	L1	L2	L3	d
20	36.0	40.5	62.5	86	18.5	20.5	17	11
22	38.0	42.5	64.5	88	18.5	20.5	17	11
24	40.0	44.5	66.5	90	19.0	20.5	17	11
25	43.0	46.0	67.5	95	19.0	20.5	17	11
28	46.0	48.5	70.5	95	19.0	20.5	17	11
30	46.0	51.0	75.0	101	19.0	20.5	17	11
32	48.0	55.0	77.5	101	19.0	20.5	17	11
35	51.5	57.0	78.0	101	21.5	20.5	17	11
38	55.0	60.0	83.0	114	24.5	20.5	17	11
40	56.0	62.0	86.0	121	24.5	20.5	17	14
43	60.0	65.0	93.5	122	26.0	20.5	17	14
45	62.5	67.0	93.5	135	26.0	20.5	17	14
48	65.0	70.0	96.0	137	26.0	20.5	17	14
50	67.5	73.0	100.0	137	26.0	20.5	17	14
52	69.5	73.0	102.0	137	26.0	20.5	17	14
53	70.5	73.0	103.0	137	26.0	20.5	17	14
55	75.0	83.0	114.0	152	26.0	20.5	17	14
58	78.0	83.0	117.0	152	26.0	20.5	17	14
60	80.0	87.0	117.0	152	26.0	20.5	17	17
62	82.0	87.0	119.0	152	26.0	20.5	17	17
63	83.0	87.0	119.0	152	26.0	20.5	17	17
65	85.0	92.0	119.0	152	26.0	20.5	17	17
68	88.0	92.0	122.0	152	26.0	20.5	17	17
70	90.0	92.0	125.0	152	26.0	20.5	17	17
75	95.0	97.0	130.0	160	27.5	21.5	18	17
80	100.0	97.0	135.0	160	27.5	21.5	18	17
85	105.0	99.0	140.0	160	27.5	21.5	18	17
90	110.0	99.0	145.0	160	27.5	21.5	18	17
95	115.0	99.0	150.0	160	27.5	21.5	18	17
100	120.0	99.0	155.0	160	27.5	21.5	18	17

\* Other sizes are available upon request.