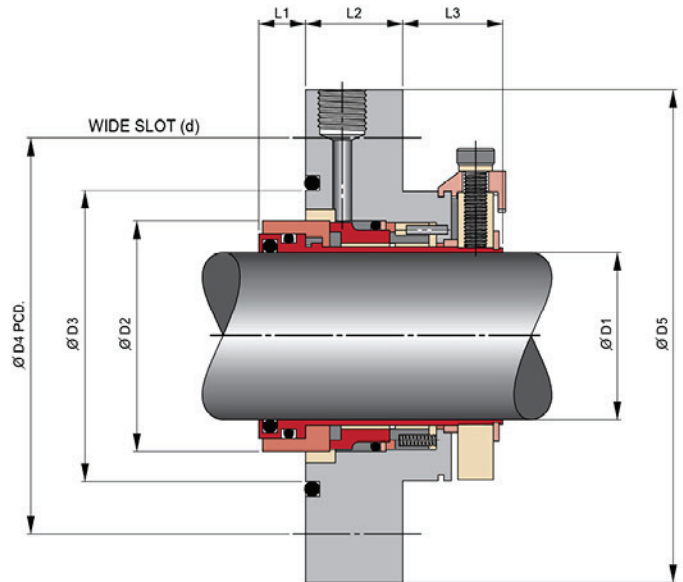


## Elastomer O-Ring Seals

# DS-911



### Applications

- For use in pumps, mixers, blenders, agitators, compressors and other rotary shaft equipment.
- For pulp and paper, petrochemical, food processing, wastewater treatment and other demanding applications.

Type DS-911 is a single cartridge heavy duty slurry seal designed to operate in harsh slurry. Incorporates a unique non-clogging multiple springs are isolated from liquid rich in solid impurity.

### Operating Conditions

- Max. Operating Pressure : 30 kg/cm<sup>2</sup>\*
- Temperature Range : -15 to 200 °
- Max. Rubbing Speed : 20 m/s

\*(Depend on combination of materials)

### Standard Materials

- Metal Parts : SUS 316
- Spring : SUS 316
- Rotary Face : Silicon Carbide
- Stationary Face : Silicon Carbide
- Secondary Seals : Fluoroelastomer

\*(Other configuration of materials also available on request)

### Design Features/Benefits

- The balanced cartridge construction makes the suitable for a wide range of demanding applications, excellent reliability, and repeatability of performance.
- Cartridge seal configuration. Easy to install and operate.
- The multiple springs are located in the stationary housing outside of the sealed liquids.
- Unique centralizing ring PTFE provided no setting clips to be removed or lost.
- No drive screw damage to shaft or sleeve.
- Premium-grade silicon carbide solid seal faces are excellent for abrasion-resistant and corrosion-resistant provided seal life consistent with equipment parts.



# Mechanical Seal Specification

Engineered Sealing Expertise

## Dimensional Data (mm.)

D1	D2	D3	D4	D5	L1	L2	L3	d
20	37.5	48	72	95	11.5	25	23.5	11
22	39.5	50	74	97	11.5	25	23.5	11
24	41.5	51	75	98	11.5	25	23.5	11
25	42.5	53	77	100	11.5	25	23.5	11
28	44.5	53	77	100	11.5	25	23.5	11
30	47.0	57	80	105	11.5	25	23.5	11
32	49.0	60	84	110	11.5	25	23.5	11
33	50.0	60	85	110	11.5	25	23.5	11
35	52.5	62	86	110	11.5	25	23.5	14
38	55.5	66	90	115	11.5	25	23.5	14
40	57.5	69	95	115	11.5	25	23.5	14
42	59.5	69	97	115	11.5	25	23.5	14
43	60.5	70	98	120	11.5	25	23.5	14
45	65.5	72	98	125	11.5	25	23.5	14
48	65.5	73	98	125	11.5	25	23.5	14
50	67.5	77	102	130	11.5	25	23.5	14
52	69.5	77	104	130	11.5	25	23.5	14
53	70.5	77	105	130	11.5	25	23.5	14
55	73.0	82	110	135	11.5	25	23.5	14
58	76.0	82	113	135	11.5	25	23.5	14
60	78.0	88	115	140	11.5	25	23.5	17
62	80.0	88	117	140	11.5	25	23.5	17
63	81.0	88	118	140	11.5	25	23.5	17
65	83.0	88	120	140	11.5	25	23.5	17
68	86.0	90	123	145	11.5	25	23.5	17
70	88.0	90	125	145	11.5	25	23.5	17
75	93.0	90	130	145	11.5	25	23.5	17
80	98.0	90	135	145	11.5	25	23.5	17
85	103.0	92	140	150	11.5	25	23.5	17
90	108.0	92	145	150	11.5	25	23.5	17
95	113.0	92	150	150	11.5	25	23.5	17
100	118.0	92	155	150	11.5	25	23.0	17

\* Other sizes are available upon request.