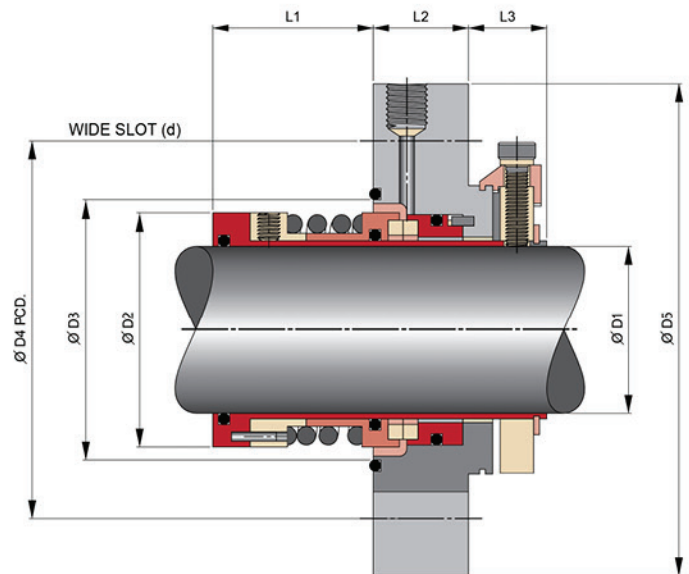


## Elastomer O-Ring Seals

# DS-950



### Applications

- For use in pumps, compressors and other rotary shaft equipment.

### Standard Materials

- Metal Parts : SUS 316
- Spring : SUS 316
- Rotary Face : Silicon Carbide/Tungsten Carbide
- Stationary Face : Silicon Carbide/Tungsten Carbide/Carbon
- Secondary Seals : Fluoroelastomer/Nitrile/Ethylene Propylene

\*(Other configuration of materials also available on request)

### Operating Conditions

- Max. Operating Pressure : 10 kg/cm<sup>2</sup>\*
- Temperature Range : -15 to 200 \*
- Max. Rubbing Speed : 10 m/s

\*(Depend on combination of materials)

### Design Features/Benefits

- Cartridge seal configuration. Easy to install and operate.
- The positive drive is designed for protecting secondary seal slip on shaft or sleeve.
- Non-clogging single coil spring for dependability.
- A flushing fluid injected into the seal chamber for clean seal faces.



# Mechanical Seal Specification

## Engineered Sealing Expertise

### Dimensional Data (mm.)

D1	D2	D3	D4	D5	L1	L2	L3	d
20	37.0	41.5	62.5	88	35	18.5	17	11
22	39.0	43.5	64.5	90	35	18.5	17	11
24	41.0	44.5	66.5	92	35	18.5	17	11
25	43.0	45.5	67.5	93	35	18.5	17	11
28	46.0	48.5	70.5	96	35	18.5	17	11
30	46.0	54.0	75.0	112	41	18.5	17	11
32	50.0	54.0	77.5	114	42	18.5	17	11
33	51.0	55.0	78.5	114	42	20.5	17	11
35	53.0	57.0	82.0	114	42	20.5	17	14
38	56.0	60.0	84.0	114	42	20.5	17	14
40	58.0	60.0	86.0	127	45	20.5	17	14
43	62.0	60.0	92.0	127	48	20.5	17	14
45	64.0	60.0	95.0	135	51	20.5	17	14

\* Other sizes are available upon request.