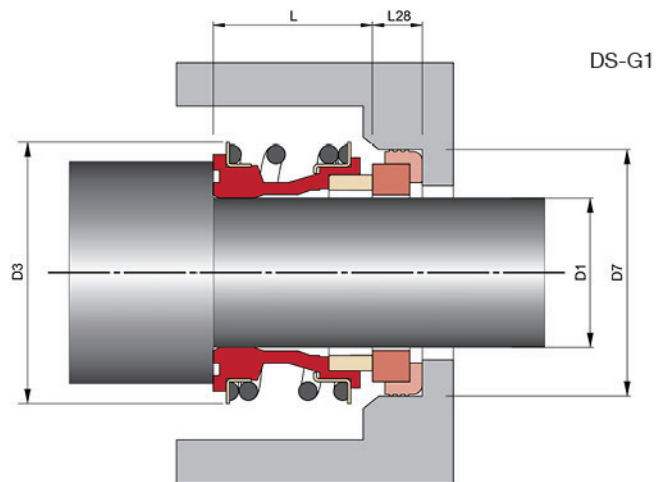
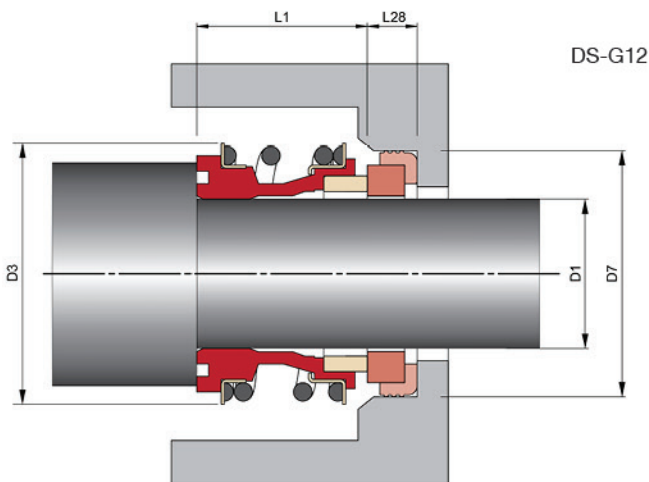


Elastomer Bellows Seals

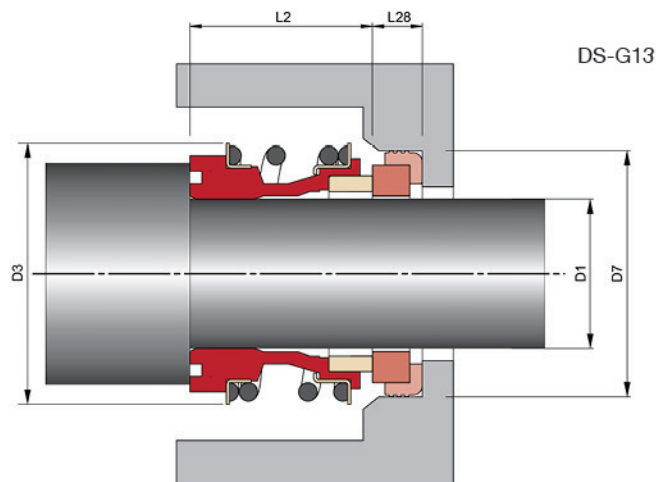
DS-G1, G12, G13



DS-G1



DS-G12



DS-G13

Applications

- For use in pumps, mixers, blenders, agitators, compressors and other rotary shaft equipment.
- For pulp and paper, petrochemical, food processing, wastewater treatment and other demanding applications.

Type DS-G1, DS-G12, DS-G13 mechanical seals is a general purpose elastomer bellows non-pusher seal.

Standard Materials

- Metal Parts : SUS 316
- Spring : SUS 316
- Rotary Face : Silicon Carbide/Tungsten Carbide/Carbon
- Stationary Face : Silicon Carbide/Ceramic/Tungsten Carbide/Carbon
- Secondary Seals : Fluoroelastomer/Nitrile/Ethylene Propylene

*(Other configuration of materials also available on request)

Operating Conditions

- Max. Operating Pressure : 8 kg/cm²*
- Temperature Range : -15 to 200 °
- Max. Rubbing Speed : 10 m/s

*(Depend on combination of materials)

Design Features/Benefits

- Non-Clogging, Single Coil Spring will not run foul due to fluid contact.
- Automatic adjustment fully compensates for normal shaft end play and run-out, seal face wear, and equipment tolerances.
- Sealing faces are precision lapped to provide effective performance with maximum seal life.



Mechanical Seal Specification

Engineered Sealing Expertise

Dimensional Data (mm.)

D1	D3	D7	L	L1	L2	L5	L6	L28
10	22.5	21	14.5	25.9	33.4	1.5	4.0	6.6
12	22.5	23	15.0	25.9	33.4	1.5	4.0	6.6
14	28.5	25	17.0	28.4	33.4	1.5	4.0	6.6
16	28.5	27	17.0	28.4	33.4	1.5	4.0	6.6
18	32.0	33	19.5	30.0	37.5	2.0	5.0	7.5
20	37.0	35	21.5	30.0	37.5	2.0	5.0	7.5
22	37.0	37	21.5	30.0	37.5	2.0	5.0	7.5
24	42.5	39	22.5	32.5	42.5	2.0	5.0	7.5
25	42.5	40	23.0	32.5	42.5	2.0	5.0	7.5
28	49.0	43	26.5	35.0	42.5	2.0	5.0	7.5
30	49.0	45	26.5	35.0	42.5	2.0	5.0	7.5
32	53.5	48	27.5	35.0	47.5	2.0	5.0	7.5
33	53.5	48	27.5	35.0	47.5	2.0	5.0	7.5
35	57.0	50	28.5	35.0	47.5	2.0	5.0	7.5
38	59.0	56	30.0	36.0	46.0	2.0	6.0	9.0
40	62.0	58	30.0	36.0	46.0	2.0	6.0	9.0
43	65.5	61	30.0	36.0	51.0	2.0	6.0	9.0
45	68.0	63	30.0	36.0	51.0	2.0	6.0	9.0
48	70.5	66	30.5	36.0	51.0	2.0	6.0	9.0
50	74.0	70	30.5	38.0	50.5	2.5	6.0	9.5
53	78.5	73	33.0	36.5	59.0	2.5	6.0	11.0
55	81.0	75	35.0	36.5	59.0	2.5	6.0	11.0
58	85.5	78	37.0	41.5	59.0	2.5	6.0	11.0
60	88.5	80	38.0	41.5	59.0	2.5	6.0	11.0
65	93.5	85	40.0	41.5	69.0	2.5	6.0	11.0
68	96.5	90	40.0	41.2	68.7	2.5	7.0	11.3
70	99.5	92	40.0	48.7	68.7	2.5	7.0	11.3
75	107.0	97	40.0	48.7	68.7	2.5	7.0	11.3
80	112.0	105	40.0	48.0	78.0	3.0	7.0	12.0
85	120.0	110	41.0	46.0	76.0	3.0	7.0	14.0
90	127.0	115	45.0	51.0	76.0	3.0	7.0	14.0
95	132.0	120	46.0	51.0	76.0	3.0	7.0	14.0
100	137.0	125	47.0	51.0	76.0	3.0	7.0	14.0

* Other sizes are available upon request.