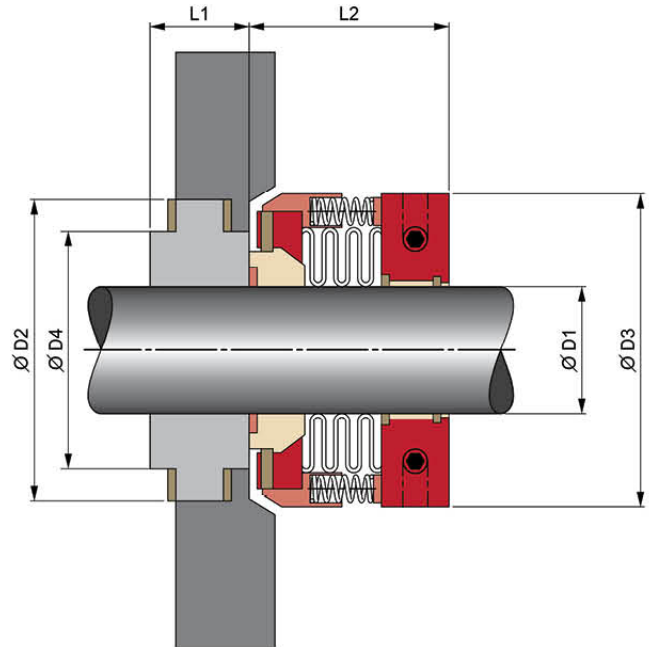


PTFE Bellows Seals

DS-710



Applications

- For use with extremely corrosive chemicals, including concentrated acids and salts, strong oxidizing and reducing agents, and chemically active organic compounds.
- For external mounting in pumps and agitators vessels.

The DS-710 seal has a replaceable face insert, so that different face materials can be used to handle a wide range of corrosive and abrasive liquids. The DS-710 seal face is integral with the composite PTFE bellows.

Standard Materials

- Metal Parts : SUS 316
- Spring : SUS 316
- Rotary Face : Silicon Carbide/ Tungsten Carbide/Carbon
- Stationary Face : Silicon Carbide/ Tungsten Carbide/Carbon
- Secondary Seals : PTFE

*(Other configuration of materials also available on request)

Operating Conditions

- Max. Operating Pressure : 12 kg/cm²*
- Temperature Range : -50 to 250 °C*
- Max. Rubbing Speed : 25 m/s

*(Depend on combination of materials)

Design Features/Benefits

- Mounted outside the seal chamber with only the internal surfaces of the secondary seals and face in contact with the process liquid.
- Maximum corrosive resistance, longlife operation.
- Multiple springs exert even closing force on seal faces. Ensure even loading of seal face and compensates for acceptable shaft misalignment.



Mechanical Seal Specification

Engineered Sealing Expertise

Dimensional Data (mm)

Seal size (D1) (mm)	D2	D3	L1	L2
0.875	0.875	1.937	1.937	2.812
1.000	1.000	2.250	1.062	1.781
1.125	1.125	2.375	1.125	1.843
1.250	1.250	2.625	1.125	1.843
1.375	1.375	2.750	1.125	1.875
1.500	1.500	2.875	1.125	1.875
1.625	1.625	3.000	1.375	2.125
1.750	1.750	3.125	1.375	2.312
1.875	1.875	3.375	1.375	2.312
2.000	2.000	3.500	1.375	2.250
2.125	2.125	3.625	1.687	2.562
2.250	2.250	3.750	1.687	2.562
2.375	2.375	3.875	1.687	2.562
2.500	2.500	4.000	1.687	2.562
2.625	2.625	4.125	1.687	2.562
2.750	2.750	4.250	1.687	2.562
2.875	2.875	4.375	1.687	2.562
3.000	3.000	4.500	1.687	2.562
3.250	3.250	4.875	1.687	2.562

* Other sizes are available upon request.